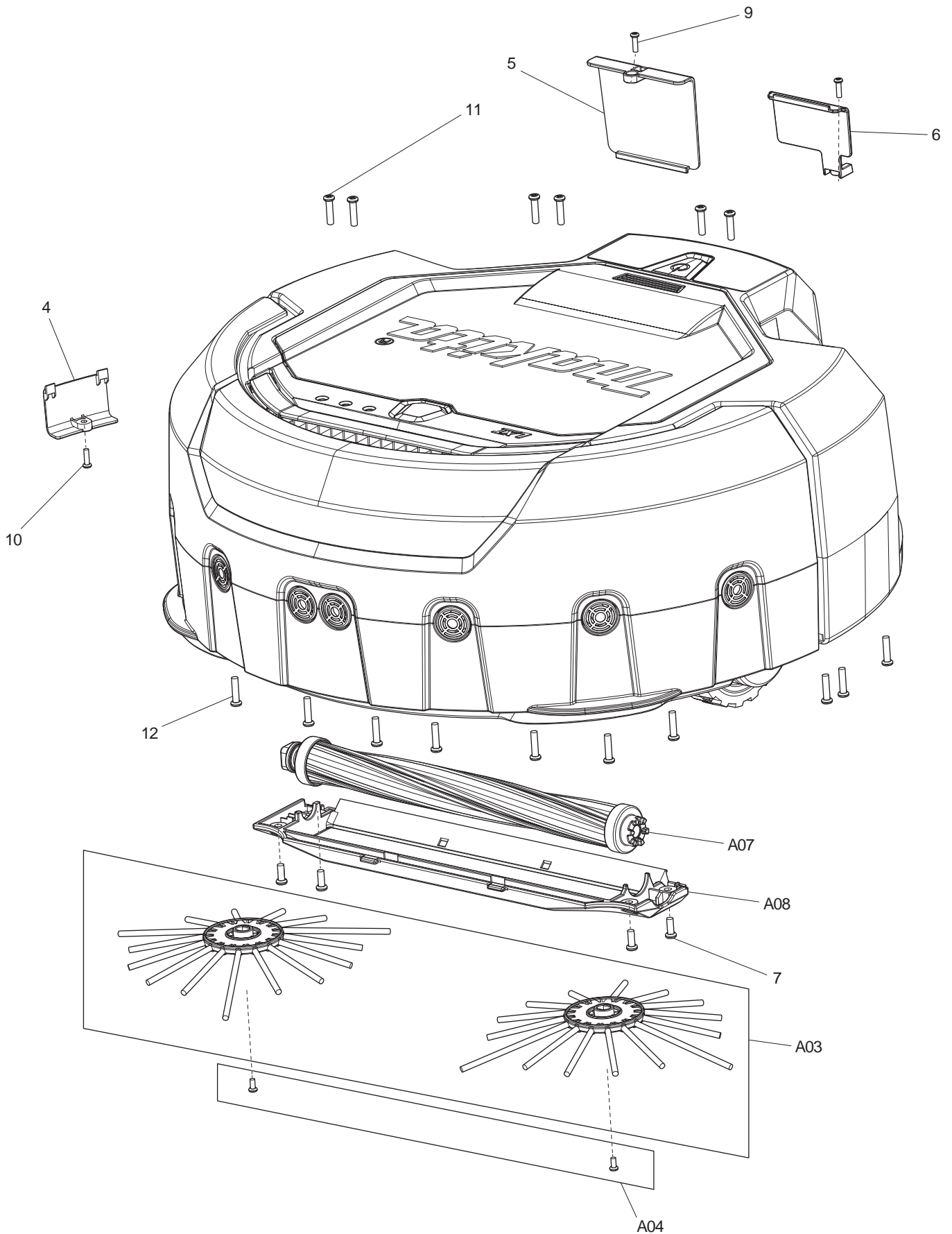
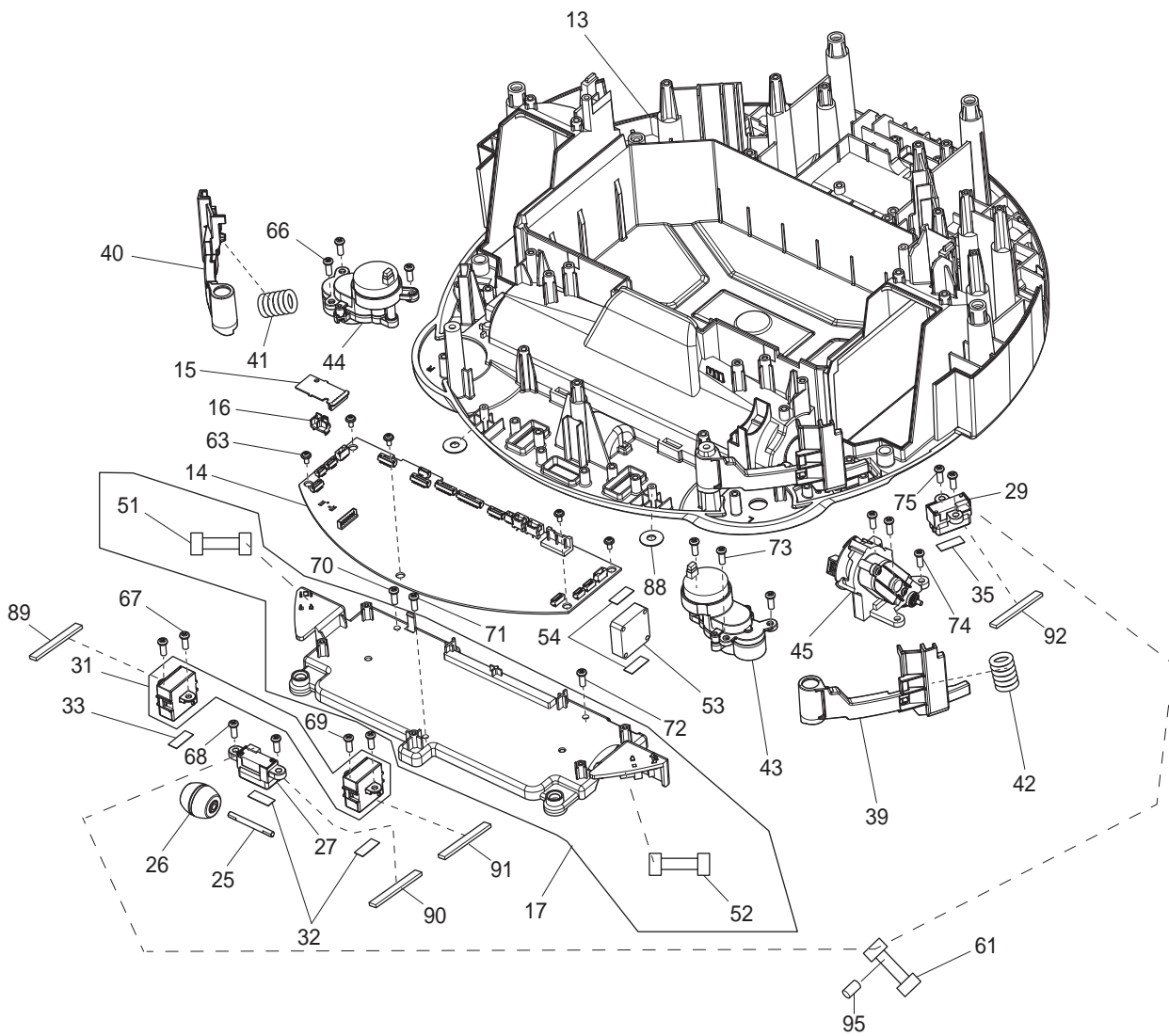
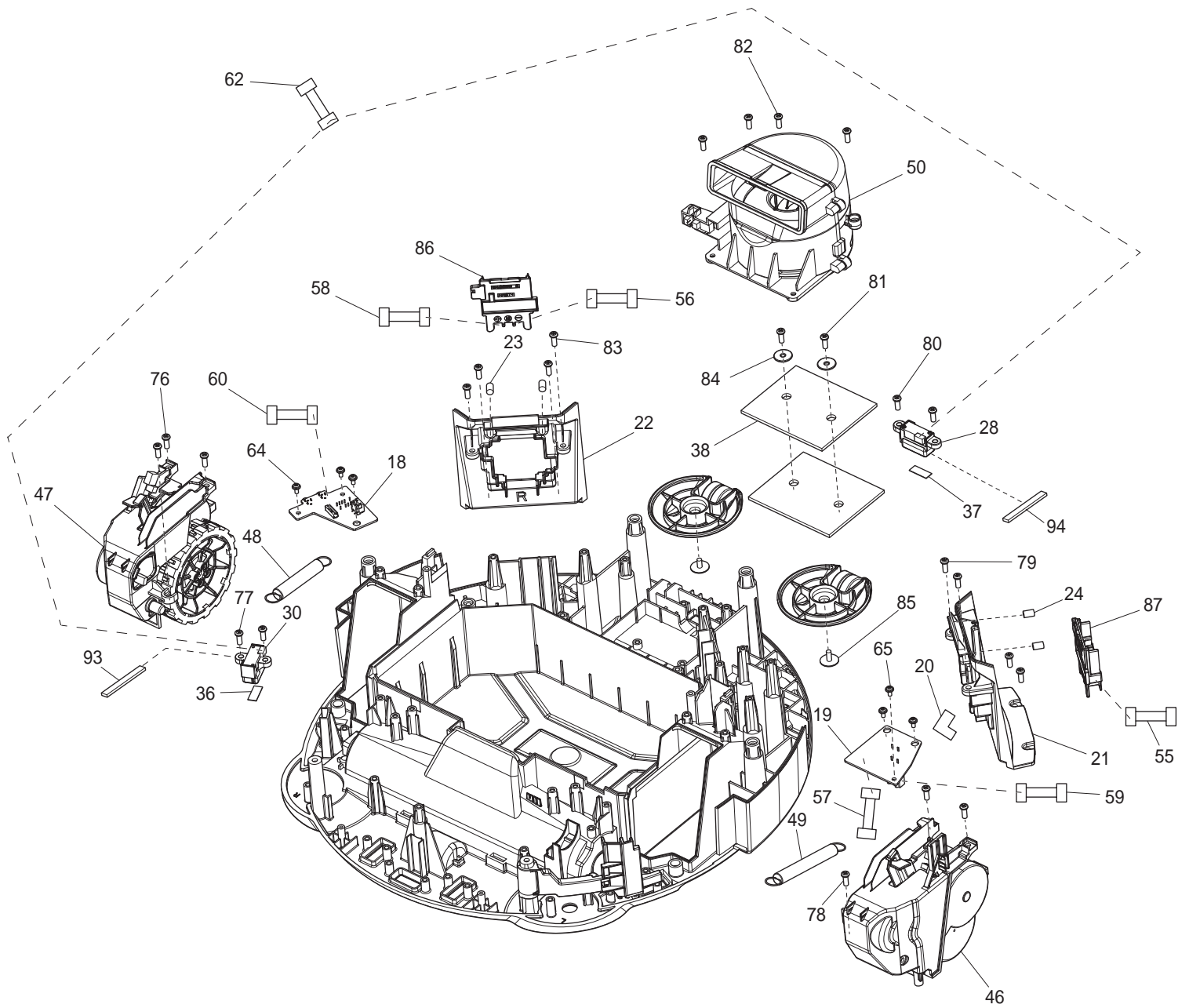




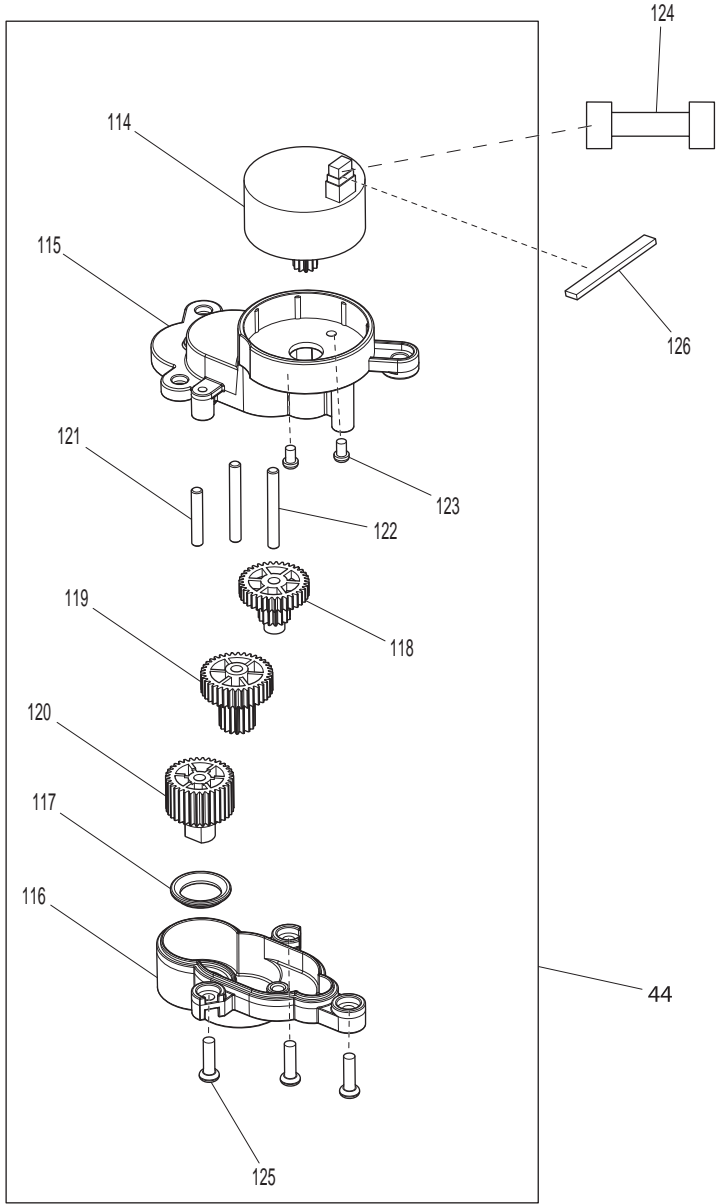
06 - 2016
DRC200Z
18V x 2 (36V) ROBOTIC CLEANER



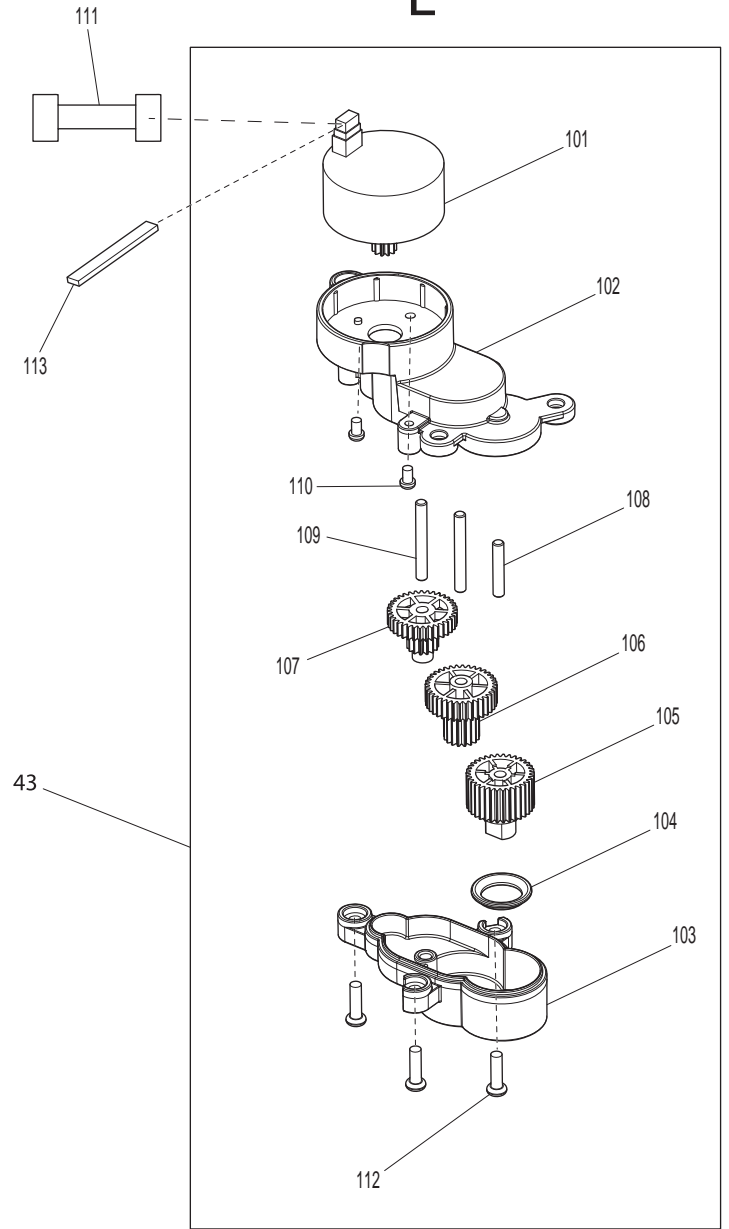


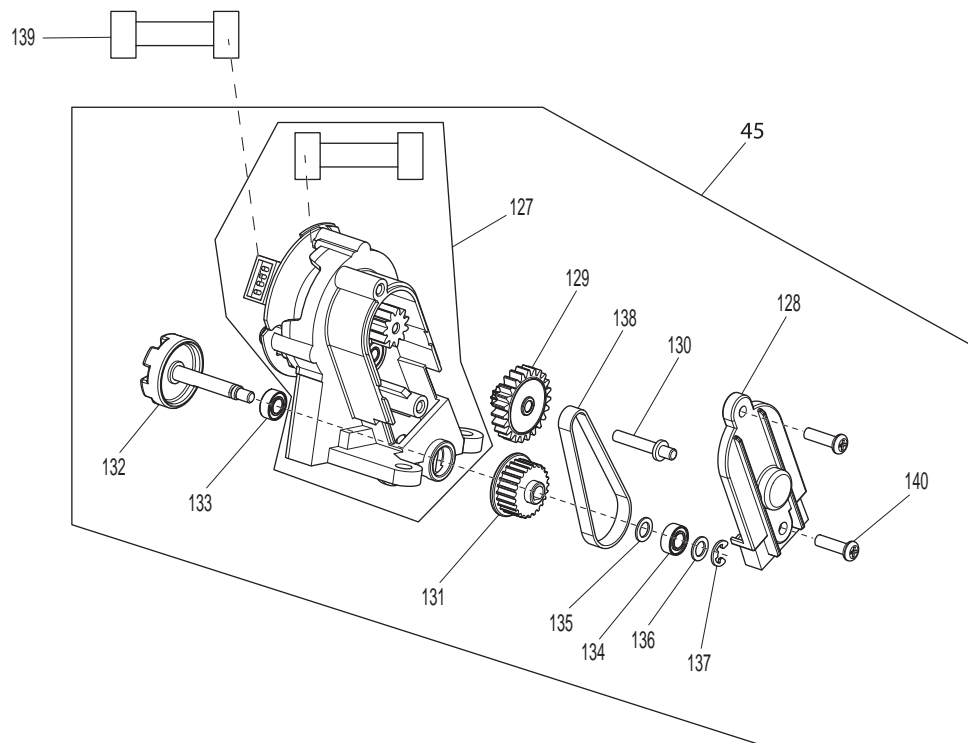


R



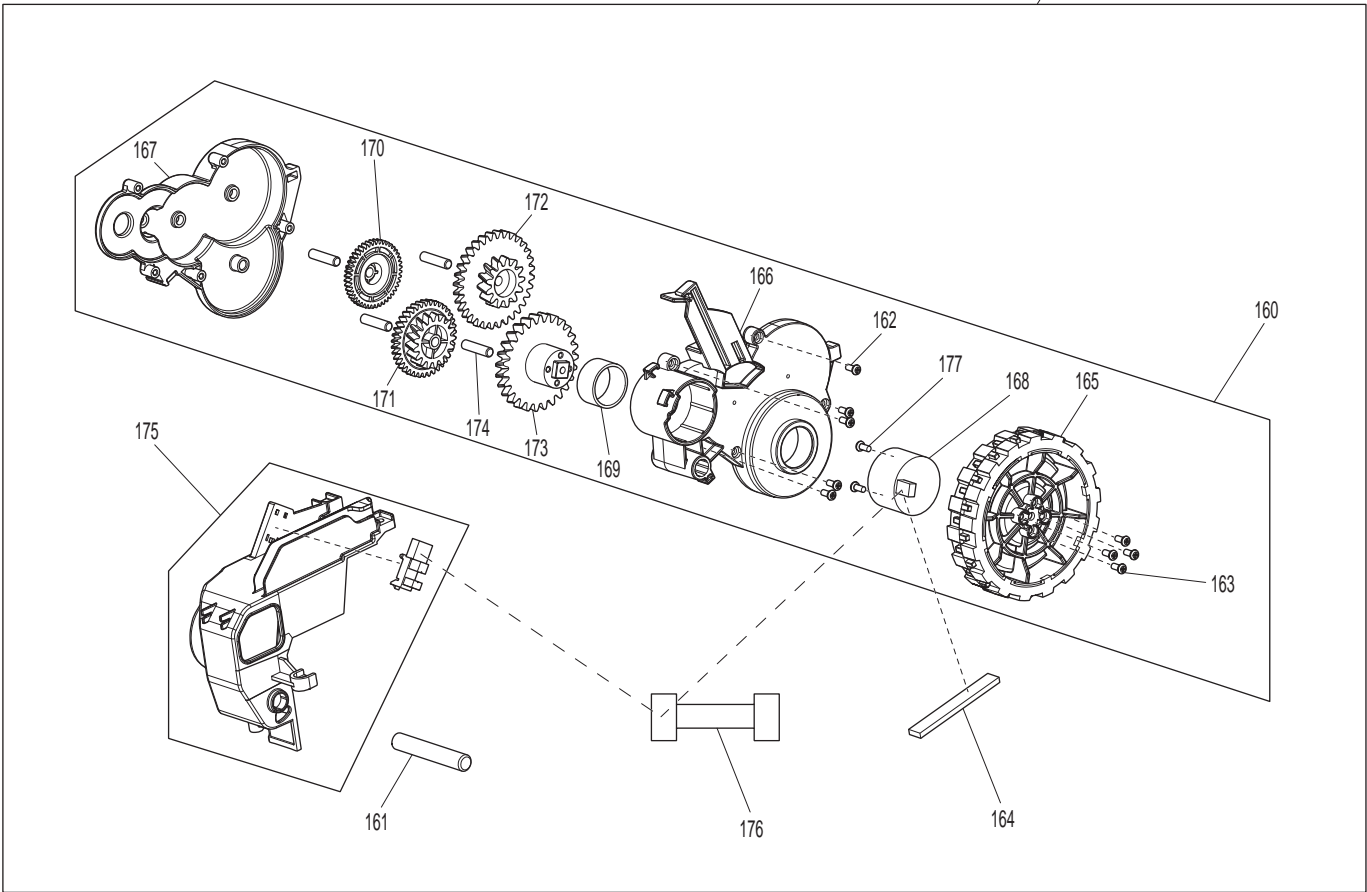
L





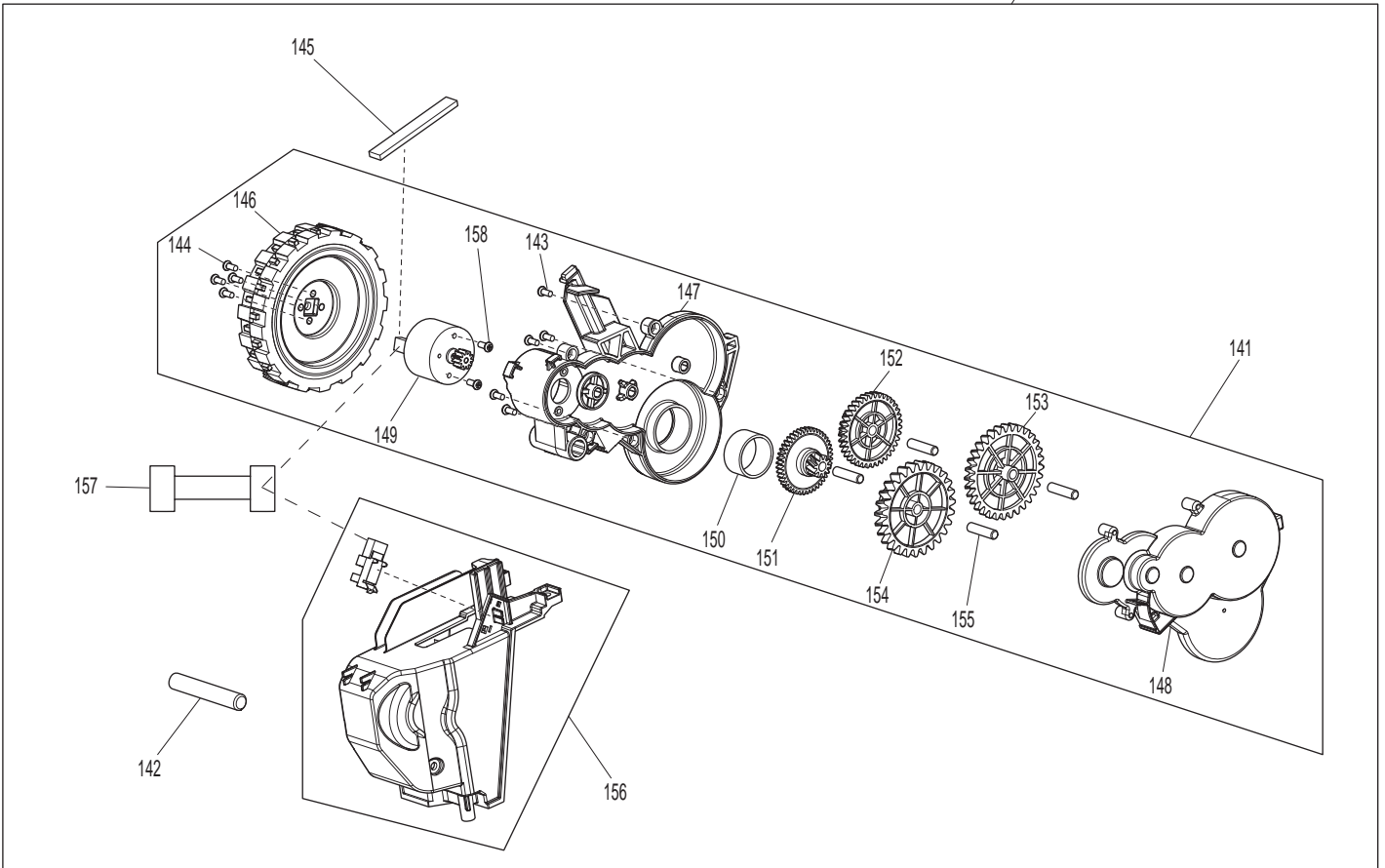
R

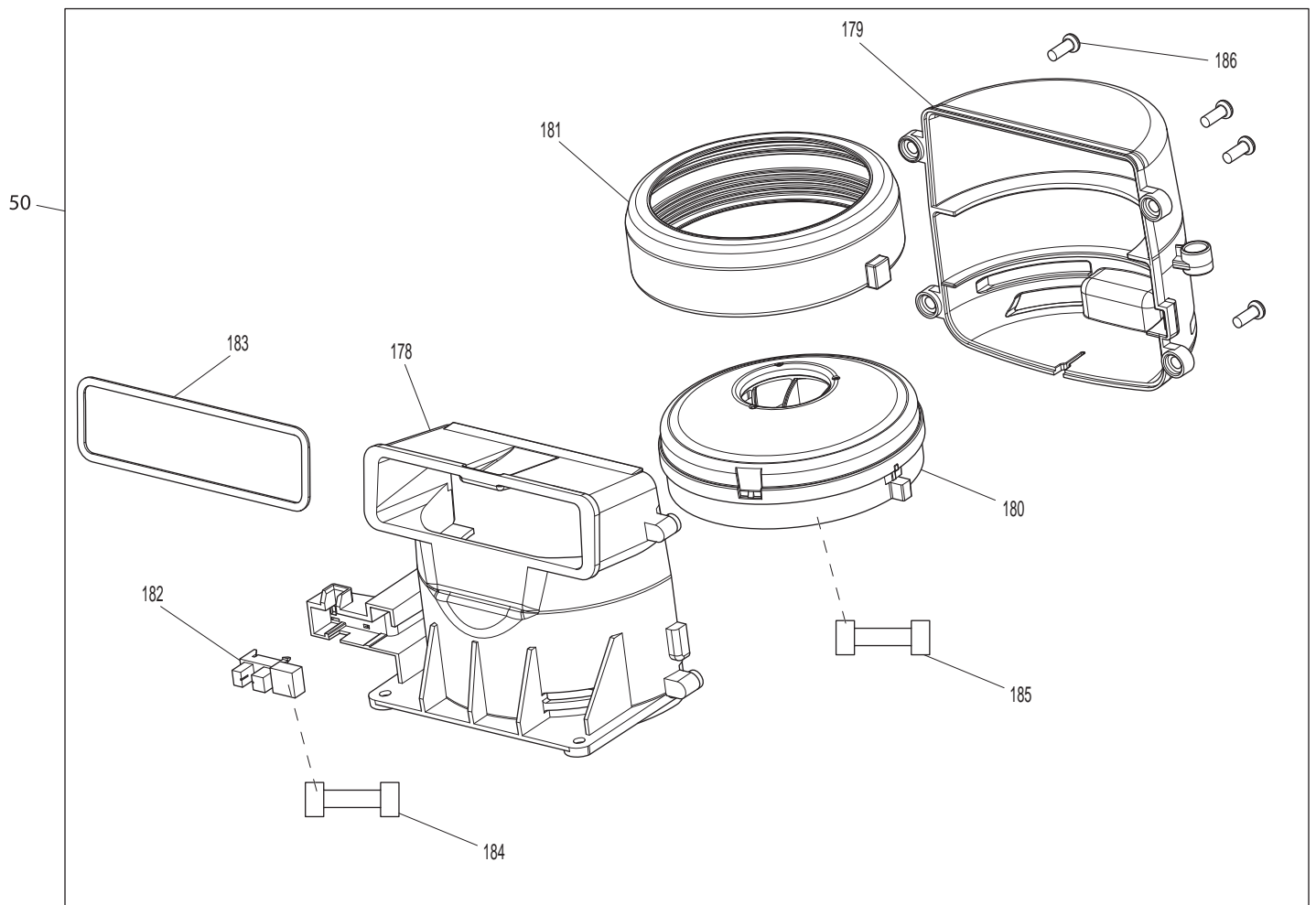
47

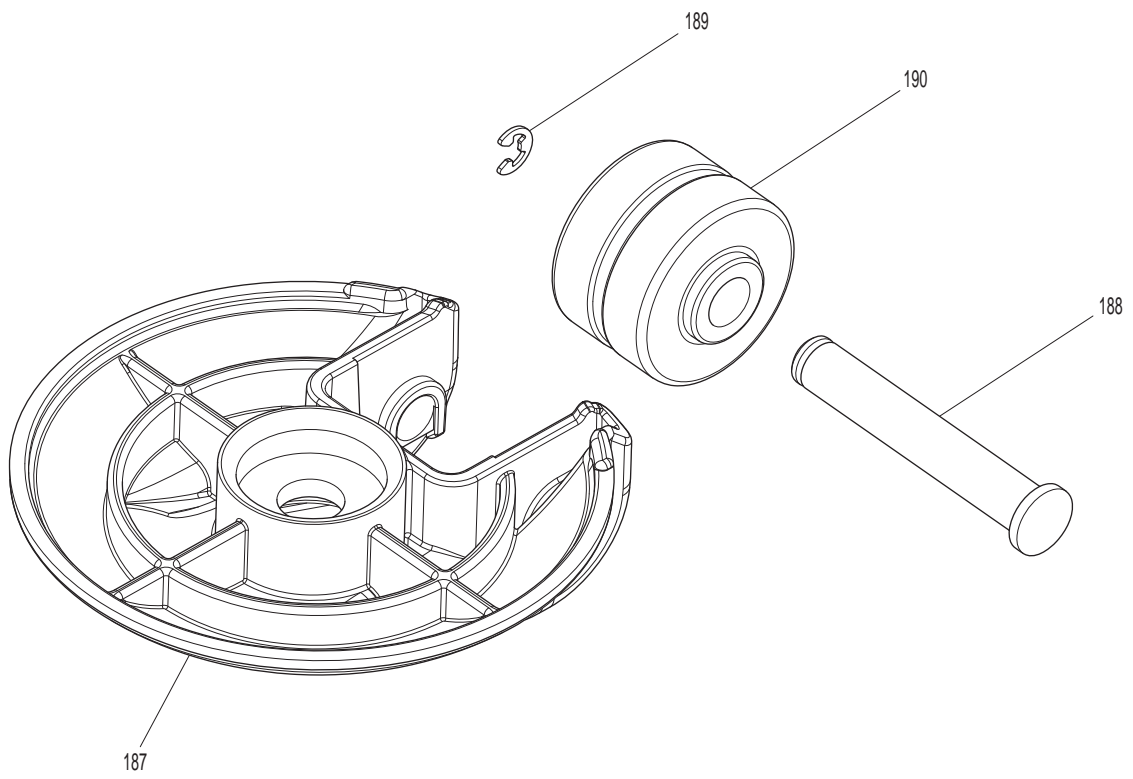


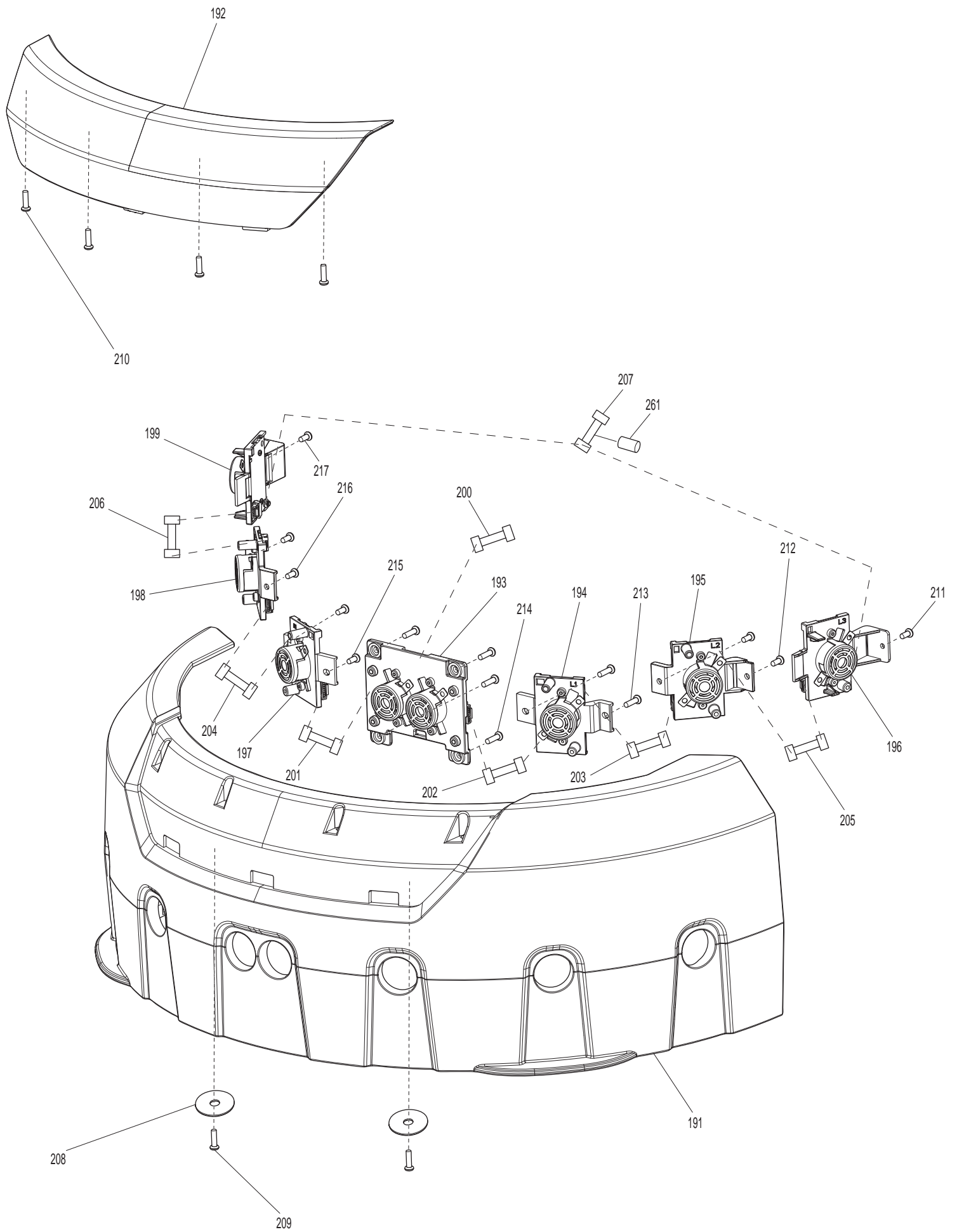
L

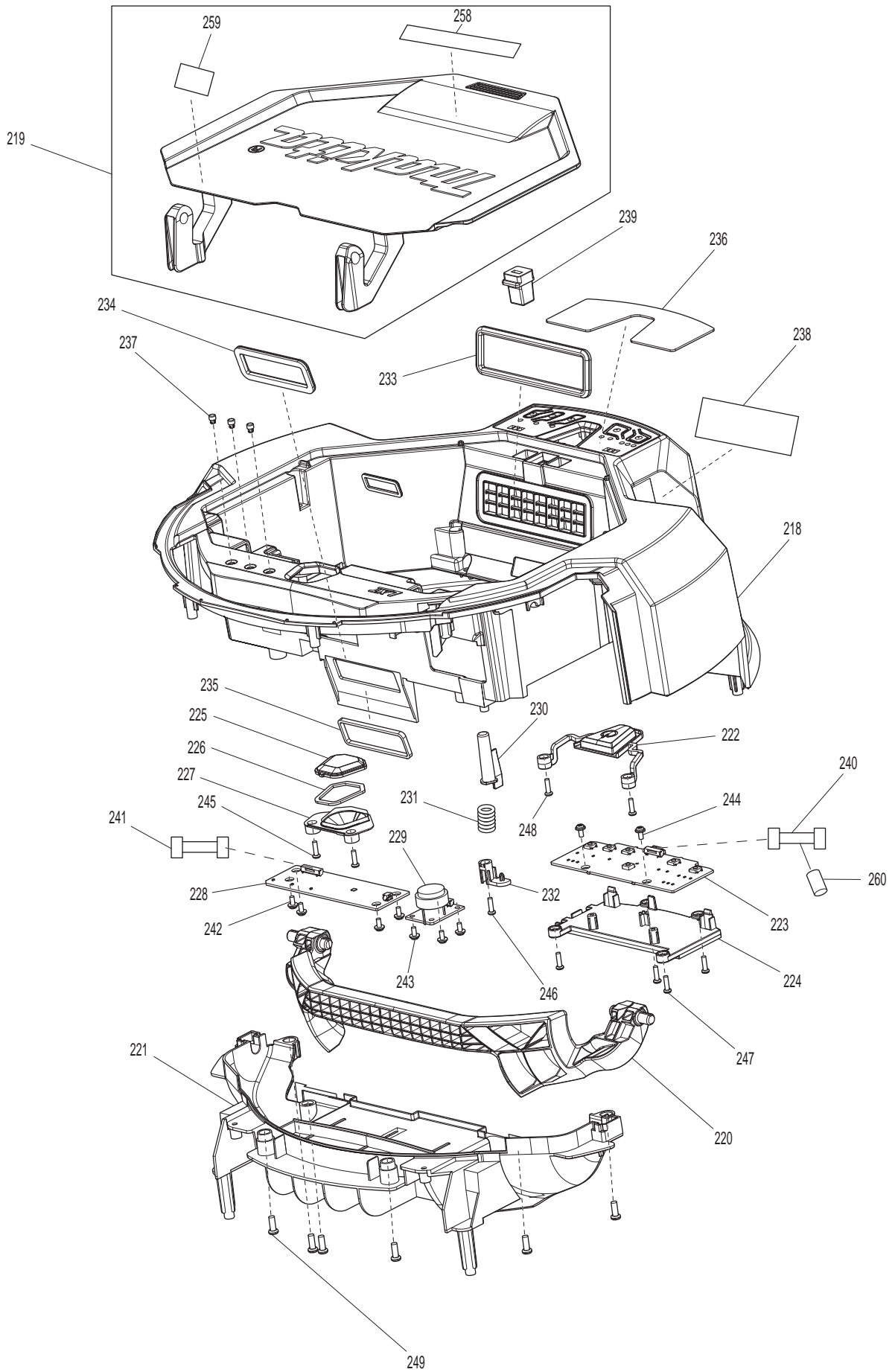
46

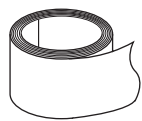
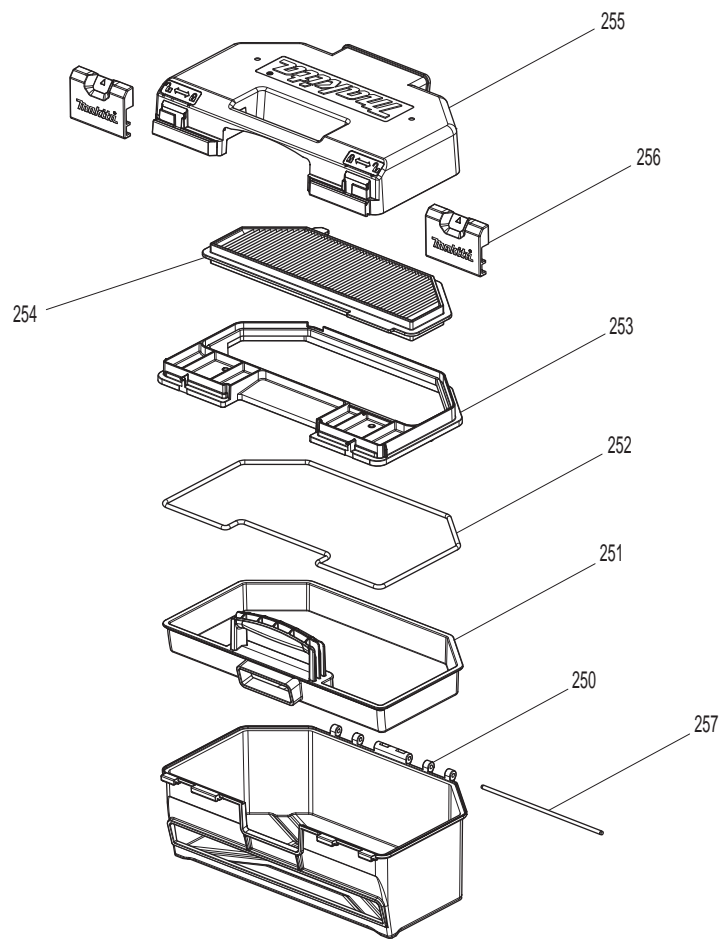




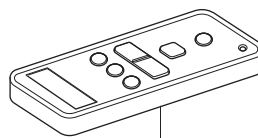








A02



A01

Item No	Type	Ref	Part No	SC Description	Qty	Unit
004			SH00000066	FIRMWARE COVER	1	PC.
005	1		SH00000067	CABLE COVER R	1	PC.
	2		SH00000267	CABLE COVER R	1	PC.
006	1		SH00000068	CABLE COVER L	1	PC.
	2		SH00000268	CABLE COVER L	1	PC.
007			SH00000069	SCREW M4X8	4	PC.
009			SH00000071	SCREW M3X10	2	PC.
010			SH00000071	SCREW M3X10	1	PC.
011			SH00000221	SCREW M4X16	6	PC.
012			SH00000221	SCREW M4X16	10	PC.
013	1		SH00000072	LOWER BODY ASSY	1	PC.
014	2		SH00000291	CONTROL PWB ASSY	1	PC.
015	2		SH00000305	RF MODULE	1	PC.
016			SH00000075	RF HOLDER	1	PC.
017	2		SH00000287	CONTROL HOLDER ASSY	1	PC.
		INC.		Item No. 51,52		
018	1		SH00000078	AUTO STOP PWB ASSEMBLY	1	PC.
	2		SH00000293	AUTO STOP PWB ASSEMBLY	1	PC.
019	1		SH00000079	BATTERY PWB ASSY	1	PC.
	3		SH00000294	BATTERY PWB ASSY	1	PC.
020			SH00000080	INSULATING SHEET	1	PC.
021			SH00000081	TERMINAL HOLDER L	1	PC.
022			SH00000082	TERMINAL HOLDER R	1	PC.
023			SH00000083	RUBBER PIN	2	PC.
024			SH00000083	RUBBER PIN	2	PC.
025			SH00000084	FRONT ROLLER SHAFT	1	PC.
026			SH00000085	FRONT ROLLER ASSY	1	PC.
027	3		SH00000303	INFRARED SENSOR C ASSEMBLY W/LENSES	1	PC.
		INC	SH00000307	TAPPING BUSH	1	PC.
		INC	SH00000308	IR HOLDER CK	1	PC.
028	3		SH00000303	INFRARED SENSOR C ASSEMBLY W/LENSES	1	PC.
		INC	SH00000307	TAPPING BUSH	1	PC.
		INC	SH00000308	IR HOLDER CK	1	PC.
029	3		SH00000304	INFRARED SENSOR S ASSEMBLY W/LENSES	1	PC.
		INC	SH00000307	TAPPING BUSH	1	PC.
		INC	SH00000309	IR HOLDER SK	1	PC.
030	3		SH00000304	INFRARED SENSOR S ASSEMBLY W/LENSES	1	PC.
		INC	SH00000307	TAPPING BUSH	1	PC.
		INC	SH00000309	IR HOLDER SK	1	PC.
031	2		SH00000280	BOUNDARY LINE SENSOR ASSEMBLY W/LENS	1	PC.
032	1		SH00000222	* SENSOR LENS SHEET (Old, Type 1)	2	PC.
033	1		SH00000222	* SENSOR LENS SHEET (Old, Type 1)	1	PC.
035	1		SH00000222	* SENSOR LENS SHEET (Old, Type 1)	1	PC.
036	1		SH00000222	* SENSOR LENS SHEET (Old, Type 1)	1	PC.
037	1		SH00000222	* SENSOR LENS SHEET (Old, Type 1)	1	PC.
038			SH00000089	WEIGHT PLATE	2	PC.
039			SH00000090	BUMPER ANGLE L	1	PC.
040	1		SH00000091	BUMPER ANGLE R	1	PC.
	2		SH00000277	BUMPER ANGLE R	1	PC.
041			SH00000092	BUMPER SPRING	1	PC.
042			SH00000092	BUMPER SPRING	1	PC.
043			SH00000093	SIDE BRUSH UNIT L ASSEMBLY	1	PC.
		INC.		Item No. 101-110,112		
044			SH00000094	SIDE BRUSH UNIT R ASSEMBLY	1	PC.

Item No	Type	Ref	Part No	SC Description	Qty	Unit
		INC.		Item No. 114-123,125		
045			SH00000095	POWER BRUSH SUPPORT S ASSEMBLY	1	PC.
		INC.		Item No. 127-138,140		
			SH00000316	POWER BRUSH SUPPORT S ASSEMBLY	1	PC.
		INC.		Item No. 127-138,140		
046			SH00000096	MAIN WHEEL L ASSY	1	PC.
		INC.		Item No. 141,142,145,156,157		
047	1		SH00000097	MAIN WHEEL R ASSY	1	PC.
		INC.		Item No. 160,161,164,175,176		
	2		SH00000288	MAIN WHEEL R ASSY	1	PC.
		INC.		Item No. 160,161,164,175,176		
048			SH00000098	WHEEL SPRING	1	PC.
049			SH00000098	WHEEL SPRING	1	PC.
050			SH00000099	AIR DUCT UNIT ASSY	1	PC.
		INC.		Item No. 178-186		
051			SH00000101	BUMPER SW CABLE	1	PC.
052			SH00000101	BUMPER SW CABLE	1	PC.
053			SH00000223	COOLING FAN S ASSY	1	PC.
054			SH00000224	COOLING FAN SEAL	2	PC.
055			SH00000104	BATTERY CABLE L	1	PC.
056			SH00000105	BATTERY CABLE R	1	PC.
057			SH00000106	BATTERY POWER SUPPLY CABLE	1	PC.
058			SH00000107	BATTERY SIGNAL CABLE	1	PC.
059			SH00000108	BATTERY EARTH CABLE	1	PC.
060			SH00000109	AUTO STOP CABLE	1	PC.
061			SH00000242	CLIFF SENSOR CABLE L	1	PC.
062			SH00000243	CLIFF SENSOR CABLE R	1	PC.
063			SH00000110	SCREW M3X8 W/WASHER 8	5	PC.
064			SH00000110	SCREW M3X8 W/WASHER 8	3	PC.
065			SH00000110	SCREW M3X8 W/WASHER 8	3	PC.
066			SH00000111	SCREW M4X10	3	PC.
067			SH00000111	SCREW M4X10	2	PC.
068			SH00000111	SCREW M4X10	2	PC.
069			SH00000111	SCREW M4X10	2	PC.
070			SH00000111	SCREW M4X10	1	PC.
071			SH00000111	SCREW M4X10	1	PC.
072			SH00000111	SCREW M4X10	1	PC.
073			SH00000111	SCREW M4X10	3	PC.
074			SH00000111	SCREW M4X10	3	PC.
075			SH00000111	SCREW M4X10	2	PC.
076			SH00000111	SCREW M4X10	3	PC.
077			SH00000111	SCREW M4X10	2	PC.
078			SH00000111	SCREW M4X10	3	PC.
079			SH00000111	SCREW M4X10	4	PC.
080			SH00000111	SCREW M4X10	2	PC.
081			SH00000111	SCREW M4X10	2	PC.
082			SH00000111	SCREW M4X10	4	PC.
083			SH00000111	SCREW M4X10	4	PC.
084			SH00000112	WASHER 4.5X13XT1	2	PC.
085			SH00000113	SCREW M5X10 W/WASHER 16	2	PC.
086	2		643523-1	TERMINAL	1	PC.
087	2		643523-1	TERMINAL	1	PC.
088			SH00000226	POLYCARBONATEWASHER	2	PC.
089	1		SH00000236	* SENSOR LENZ SEAL (Old, Type 1)	1	PC.

Item No	Type	Ref	Re Part No	SC Description	Qty	Unit
090	1		SH00000236	* SENSOR LENZ SEAL (Old, Type 1)	1	PC.
091	1		SH00000236	* SENSOR LENZ SEAL (Old, Type 1)	1	PC.
092	1		SH00000236	* SENSOR LENZ SEAL (Old, Type 1)	1	PC.
093	1		SH00000236	* SENSOR LENZ SEAL (Old, Type 1)	1	PC.
094	1		SH00000236	* SENSOR LENZ SEAL (Old, Type 1)	1	PC.
095			SH00000244	FERRITE CORE	4	PC.
101			SH00000114	MOTOR S ASSY	1	PC.
102			SH00000115	SIDE BRUSH MOTOR HOLDER L	1	PC.
103			SH00000116	SIDE BRUSH MOTOR COVER	1	PC.
104			SH00000117	SIDE BRUSH METAL	1	PC.
105			SH00000118	SIDE BRUSH GEAR 4 ASSEMBLY	1	PC.
106			SH00000119	SIDE BRUSH GEAR 3	1	PC.
107			SH00000120	SIDE BRUSH GEAR 2	1	PC.
108			SH00000121	COMMON SHAFT 1	1	PC.
109			SH00000122	SIDE BRUSH GEAR SHAFT 1	2	PC.
110			SH00000123	SCREW M2.6X4	2	PC.
111			SH00000124	SIDE BRUSH CABLE	1	PC.
112			SH00000071	SCREW M3X10	3	PC.
113			SH00000227	MOTOR SEAL	1	PC.
114			SH00000114	MOTOR S ASSY	1	PC.
115			SH00000125	SIDE BRUSH MOTOR HOLDER R	1	PC.
116			SH00000116	SIDE BRUSH MOTOR COVER	1	PC.
117			SH00000117	SIDE BRUSH METAL	1	PC.
118			SH00000120	SIDE BRUSH GEAR 2	1	PC.
119			SH00000119	SIDE BRUSH GEAR 3	1	PC.
120			SH00000118	SIDE BRUSH GEAR 4 ASSEMBLY	1	PC.
121			SH00000121	COMMON SHAFT 1	1	PC.
122			SH00000122	SIDE BRUSH GEAR SHAFT 1	2	PC.
123			SH00000123	SCREW M2.6X4	2	PC.
124			SH00000124	SIDE BRUSH CABLE	1	PC.
125			SH00000071	SCREW M3X10	3	PC.
126			SH00000227	MOTOR SEAL	1	PC.
127	2		SH00000317	POWER BRUSH MOTOR D ASSY	1	PC.
128			SH00000127	POWER BRUSH SUPPORT COVER K	1	PC.
129			SH00000129	POWER BRUSH BELT GEAR 2	1	PC.
130			SH00000130	BELT GEAR SHAFT	1	PC.
131			SH00000131	POWER BRUSH BELT GEAR 3	1	PC.
132	1		SH00000132	POWER BRUSH HOLDER ASSEMBLY	1	PC.
133			SH00000133	BEARING	1	PC.
134			SH00000133	BEARING	1	PC.
135			SH00000134	POLYSLIDER WASHER 050	1	PC.
136			SH00000134	POLYSLIDER WASHER 050	1	PC.
137	2		SH00000228	E RING	1	PC.
138			SH00000136	TIMING BELT	1	PC.
139			SH00000137	POWER BRUSH MOTOR CABLE	1	PC.
140			SH00000071	SCREW M3X10	2	PC.
141			SH00000139	MAIN WHEEL L UNIT	1	PC.
		INC.		Item No. 143,144,146-155,158		
142			SH00000152	MAIN WHEEL SHAFT	1	PC.
143			SH00000071	SCREW M3X10	5	PC.
144			SH00000229	SCREW M3X10	4	PC.
145			SH00000227	MOTOR SEAL	1	PC.
146			SH00000150	WHEEL L ASSY	1	PC.
147			SH00000140	WHEEL GEAR BOX L	1	PC.

Item No	Type	Ref	Part No	SC Description	Qty	Unit
148			SH00000141	WHEEL GEAR COVER L	1	PC.
149			SH00000142	MW MOTOR S ASSY	1	PC.
150			SH00000143	WHEEL METAL RING	1	PC.
151			SH00000144	WHEEL GEAR 2	1	PC.
152			SH00000145	WHEEL GEAR 3	1	PC.
153			SH00000146	WHEEL GEAR 4	1	PC.
154			SH00000147	WHEEL GEAR 5	1	PC.
155			SH00000148	WHEEL GEAR SHAFT 1	4	PC.
156			SH00000151	WHEEL L UNIT COVER	1	PC.
157			SH00000153	WHEEL CABLE	1	PC.
158			SH00000123	SCREW M2.6X4	2	PC.
160			SH00000154	MAIN WHEEL R UNIT	1	PC.
		INC.		Item No. 162,163,165-174,177		
161			SH00000152	MAIN WHEEL SHAFT	1	PC.
162			SH00000071	SCREW M3X10	5	PC.
163			SH00000229	SCREW M3X10	4	PC.
164			SH00000227	MOTOR SEAL	1	PC.
165			SH00000157	WHEEL R ASSY	1	PC.
166			SH00000155	WHEEL GEAR BOX R	1	PC.
167			SH00000156	WHEEL GEAR COVER R	1	PC.
168			SH00000142	MAIN WHEEL MOTOR S ASSEMBLY	1	PC.
169			SH00000143	WHEEL METAL RING	1	PC.
170			SH00000144	WHEEL GEAR 2	1	PC.
171			SH00000145	WHEEL GEAR 3	1	PC.
172			SH00000146	WHEEL GEAR 4	1	PC.
173			SH00000147	WHEEL GEAR 5	1	PC.
174			SH00000148	WHEEL GEAR SHAFT 1	4	PC.
175	2		SH00000289	WHEEL R UNIT COVER	1	PC.
176			SH00000153	WHEEL CABLE	1	PC.
177			SH00000123	SCREW M2.6X4	2	PC.
178			SH00000159	AIR DUCT FRONT	1	PC.
179			SH00000160	AIR DUCT REAR	1	PC.
180			SH00000161	FAN MOTOR UNIT ASSY	1	PC.
181			SH00000162	FAN CUSHION	1	PC.
182			SH00000077	PHOTO SENSOR	1	PC.
183			SH00000163	INTAKE SEAL	1	PC.
184			SH00000164	CUP SENSOR CABLE	1	PC.
185			SH00000165	FAN MOTOR CABLE	1	PC.
186			SH00000111	SCREW M4X10	4	PC.
187			SH00000166	REAR CASTER FRAME	2	PC.
188			SH00000167	REAR CASTER SHAFT	2	PC.
189			SH00000135	U RING	2	PC.
190			SH00000168	CASTER ASSY	2	PC.
191			SH00000169	BUMPER	1	PC.
192			SH00000170	BUMPER DECO	1	PC.
193	1		SH00000171	ULTRA SONIC HOLDER C ASSEMBLY	1	PC.
	2		SH00000295	ULTRA SONIC HOLDER C ASSEMBLY	1	PC.
194	2		SH00000296	ULTRA SONIC HOLDER L1 ASSEMBLY	1	PC.
195	2		SH00000297	ULTRA SONIC HOLDER L2 ASSEMBLY	1	PC.
196	2		SH00000298	ULTRA SONIC HOLDER L3 ASSEMBLY	1	PC.
197	1		SH00000175	ULTRA SONIC HOLDER R1 ASSEMBLY	1	PC.
	2		SH00000299	ULTRA SONIC HOLDER R1 ASSEMBLY	1	PC.
198	1		SH00000176	ULTRA SONIC HOLDER R2 ASSEMBLY	1	PC.
	2		SH00000300	ULTRA SONIC HOLDER R2 ASSEMBLY	1	PC.

Item No	Type	Ref	Part No	SC Description	Qty	Unit
199	1		SH00000177	ULTRA SONIC HOLDER R3 ASSEMBLY	1	PC.
	2		SH00000301	ULTRA SONIC HOLDER R3 ASSEMBLY	1	PC.
200			SH00000245	ULTRA SONIC CABLE C	1	PC.
201			SH00000179	ULTRA SONIC CABLE 1	1	PC.
202			SH00000179	ULTRA SONIC CABLE 1	1	PC.
203			SH00000180	ULTRA SONIC CABLE 2	1	PC.
204			SH00000180	ULTRA SONIC CABLE 2	1	PC.
205			SH00000181	ULTRA SONIC CABLE 3	1	PC.
206			SH00000181	ULTRA SONIC CABLE 3	1	PC.
207			SH00000182	ULTRA SONIC EARTH CABLE	1	PC.
208			SH00000183	WASHER 4.5X25XT1	2	PC.
209			SH00000111	SCREW M4X10	2	PC.
210	2		SH00000184	SCREW M3X6	4	PC.
211			SH00000184	SCREW M3X6	1	PC.
212			SH00000184	SCREW M3X6	2	PC.
213			SH00000184	SCREW M3X6	2	PC.
214			SH00000184	SCREW M3X6	4	PC.
215			SH00000184	SCREW M3X6	2	PC.
216			SH00000184	SCREW M3X6	2	PC.
217			SH00000184	SCREW M3X6	1	PC.
218			SH00000185	UPPER BODY	1	PC.
219			SH00000246	CASE COVER K	1	PC.
220			SH00000187	HANDLE	1	PC.
221	1		SH00000188	HANDLE COVER	1	PC.
	2		SH00000269	HANDLE COVER	1	PC.
222			SH00000189	USER INTERFACE BUTTON	1	PC.
223	2		SH00000302	USER INTERFACE PWB ASSEMBLY	1	PC.
224			SH00000191	USER INTERFACE PWB HOLDER	1	PC.
225			SH00000192	LED LENS L	1	PC.
226			SH00000193	LED LENS SEAL	1	PC.
227			SH00000194	LED REFLECTOR	1	PC.
228			SH00000195	LED PWB ASSY	1	PC.
229			SH00000196	BUZZER PWB ASSY	1	PC.
230	1		SH00000197	FILTER BUTTON	1	PC.
	2		SH00000270	FILTER BUTTON	1	PC.
231			SH00000198	FILTER BUTTON SPRING	1	PC.
232	2		SH00000271	FILTER BUTTON HOLDER	1	PC.
233			SH00000200	INTAKE PACKING	1	PC.
234			SH00000201	NOZZLE PACKING	1	PC.
235			SH00000202	NOZZLE SEAL	1	PC.
236			SH00000248	USER INTERFACE KEY SHEET	1	PC.
237			SH00000204	LED LENS S	3	PC.
238			SH00000205	EXHAUST FILTER ASSY	1	PC.
239			SH00000206	CATCH LATCH	1	PC.
240			SH00000249	USER INTERFACE CABLE	1	PC.
241			SH00000208	LED CABLE	1	PC.
242			SH00000110	SCREW M3X8 W/WASHER 8	4	PC.
243			SH00000110	SCREW M3X8 W/WASHER 8	3	PC.
244			SH00000110	SCREW M3X8 W/WASHER 8	2	PC.
245			SH00000184	SCREW M3X6	2	PC.
246			SH00000071	SCREW M3X10	1	PC.
247			SH00000071	SCREW M3X10	4	PC.
248			SH00000071	SCREW M3X10	2	PC.
249			SH00000111	SCREW M4X10	6	PC.

Item No	Type	Ref	Re Part No	SC Description	Qty	Unit
250			SH00000209	DUST BOX LOWER	1	PC.
251			SH00000210	DUST CASE	1	PC.
252			SH00000211	DUST SEAL RING	1	PC.
253			SH00000212	DUST BOX UPPER	1	PC.
254			SH00000213	FILTER UNITS ASSY	1	PC.
255			SH00000214	DUST BOX COVER	1	PC.
256			SH00000215	DUST SLIDE LEVER	2	PC.
257			SH00000216	DUST BOX PIN	1	PC.
258			SH00000251	CAUTION LABEL	1	PC.
259			SH00000253	ROBOPRO LABEL	1	PC.
260			SH00000244	FERRITE CORE	1	PC.
261			SH00000244	FERRITE CORE	1	PC.
302			SH00000281	* SENSOR LENZ SEAL (Added)	2	PC.
304			SH00000407	TAPPING SCREW M3X16	2	PC.
ACCESSORIES						
- See Catalogue or visit www.makita.ca for more accessories -						
A01			SH00000238	RADIO FREQUENCY CONTROLLER ASSEMBLY	1	PC.
A02			SH00000240	SENSOR WALL TAPE	1	PC.
A03			SH00000065	SIDE BRUSH ASSY 2PC/SET	2	SET
A04			SH00000070	SCREW 2PC/SET F/ SIDE BRUSH	2	SET
A05			---	18V LI-ION BATTERY		
A06			---	BATTERY CHARGER		
A07	1		SH00000063	MAIN BRUSH ASSY	1	PC.
	2		SH00000313	ROTATION BRUSH	1	PC.
A08	1		SH00000064	BOTTOM PLATE ASSY	1	PC.
	2		SH00000314	ROTATION BRUSH COVER	1	PC.